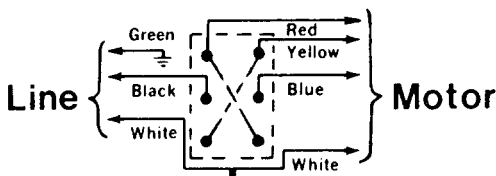


**NOTE: Order parts by Catalog Number only.
DO NOT order by Reference Number.**

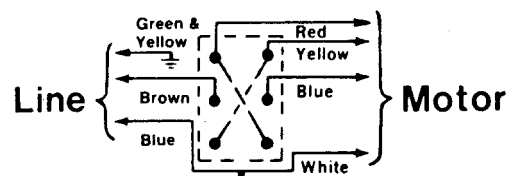
Ref. No.	Catalog No.	Description	Ref. No.	Catalog No.	Description	Ref. No.	Catalog No.	Description
1	44785	Tie Bolt (4)	19	44820	1st Gear Assembly	37	44815	Brush Assembly (2)
2	40770	Lock Washer (4)	20	44825	2nd Gear Assembly	38	45420	Ground Screw
3	85920	Pop Rivet (2)	21	43335	Fan Housing Assembly	39	44905	Switch
4		Name Plate (115V)	22	45165	Dowel Pin	40	46310	Screw (5)
		Name Plate (230V)	23	44555	Field Mtg. Screw (2)	41	44890	Jumper (2)
5	46615	Torque Arm	24	97260	Switch Button	42	75700	Lock Ring
6	42970	Gear Case Assembly (Includes Ref. 7, 13, 14, 52)	25	44055	Armature & Fan Assy. (115V)	43	75695	Lock Washer (Internal Tooth)
7	44060	Bearing	26	44565	Bearing	44	46590	Lock Nut
8	43395	Face Gear Assembly	27	44430	Retaining Ring	45	44880	Brush Lead (Blue)
9	32475	Spring Pin (2)	28	44760	Bearing	46	43390	Switch Insulator
10	44915	Spring (2)	29	44790	Load Spring	47	44885	Brush Lead (White)
11	44910	Adapter Pawl (2)	30	44070	Field (115V) (Incl. Ref. No. 31)	48	44635	Wire Nut
12	43345	Cover	31	28922	Field (230V) (Incl. Ref. No. 31)	49	46730	Cord Retainer
13	46775	Screw (8)	32	83895	Ring Tongue Terminal (2)	50	89155	Service Cord (115V)
14	83890	Lock Nut (8)	33	42975	Motor Housing Assembly		44045	Service Cord (230V)
15	44900	4th Gear Assembly	34	44765	Lock Screw	51	97255	Handle
16	45315	Bearing	35	39770	Set Screw (2)	52	46860	Grease Fitting
17	45060	Bearing (7)	36	44795	Brush Holder (2)	53	41270	"X" Washer
18	44830	3rd Gear Assembly		45660	Brush Cap (2)	54	44755	Insulator Tube
						55	41620	Grease

Wiring Diagram (115/230V)

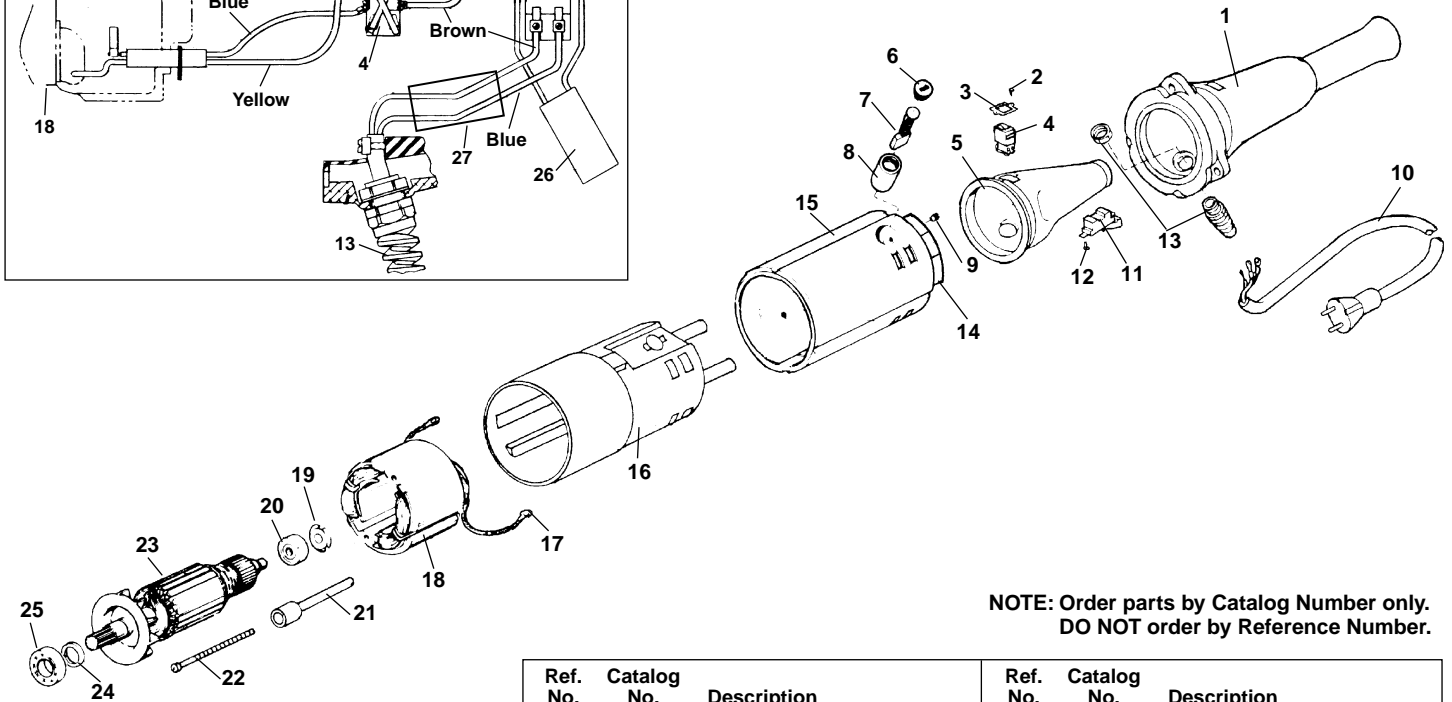
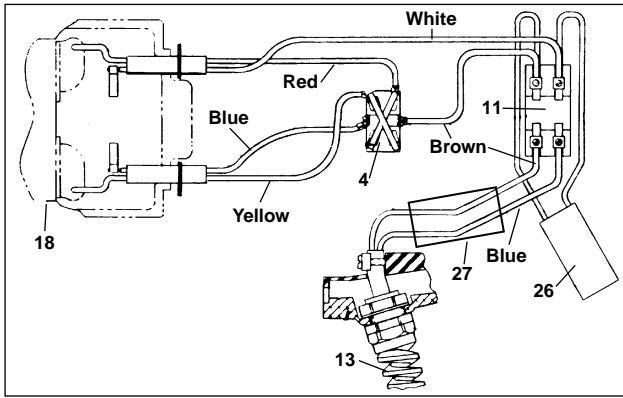
Standard Color Code



European Color Code



No. 700 Power Drive-w/Dual Switch (Europe only)



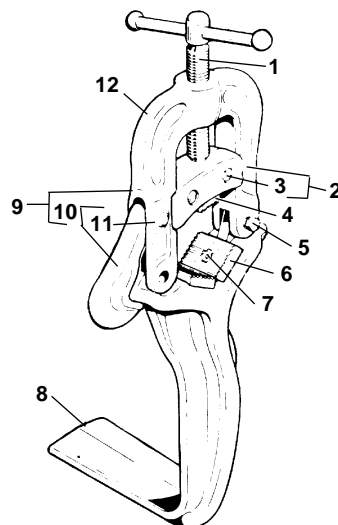
NOTE: Order parts by Catalog Number only. DO NOT order by Reference Number.

Service Note:

For service parts used in early style machines, refer to the model 700 with a single control switch.

Ref. No.	Catalog No.	Description	Ref. No.	Catalog No.	Description
1	32116	Handle	15	18676	Motor Housing
2	32176	Screw	16	18506	Sleeve f/Field
3	32166	Clip	17	12456	Terminal (2)
4	32126	Reversing Switch	18	18606	Field
5	32106	Switch Liner	19	32306	Field 48 Volts
6	30906	Brush Cap	19	44790	Load Spring
7	44815	Brush Assembly	20	44760	Bearing
8	30916	Brush Holder	21	18566	Sleeve f/Screw
9	39770	Set Screw (2)	22	18486	Field Mounting Screw (2)
10	18666	Line Cord (Eur. Di.)	23	18596	Armature and Fan Assembly (Eur. Di.)
11	32236	Line Cord 48 Volt		32316	Armature and Fan Assembly
12	32136	ON/OFF Switch	24	44430	Retaining Ring
13	32156	Screw	25	44565	Bearing
14	66537	Strain Relief (48 Volt)	26	18406	Suppressor
	32246	Strain Relief w/Cable Sleeve	27	63377	Ferrite Bead
	32096	Insulating Cap			

No. 775 Support Arm



Ref. No.	Catalog No.	Description
1	40355	Feed Screw
2	40360	Jaw Clamp (Incl. Ref. No. 3)
3	40345	Screw and Washer (2)
4	40335	Upper Jaw
5	40325	Hinge Bolt, Washer and Nut
6	32100	Lower Jaws (1 set) (2 per set)
7	32205	Lower Jaw Screw (2)
8	42945	Base
9	40310	Yoke and Hook Assembly (Incl. Ref. No. 10)
10	40320	Hook (Incl. Ref. No. 11)
11	40340	Hinge Pin
12	40315	Yoke Assembly Complete (Incl. Ref. Nos. 1, 2, 4, 5 & 9)